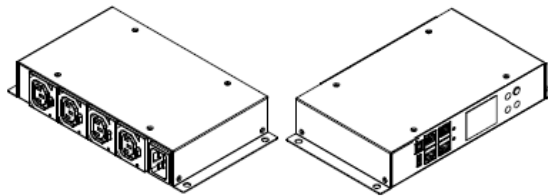


Technical Specifications / Engineering Submittals

Raritan Model Number: PXO-2401CR

rev20181019

LINE DRAWING



FEATURES

Energy Metering	Voltage (V), Current (A), Active Power (kW), Real Power (kVA), Energy (kWh), Power Factor
Metering Accuracy	ISO/IEC 62053-21 1%
Metering per Input Line	Yes
Metering per Branch Circuit Breaker	No
Metering per Output Receptacle	No
Remote Outlet Switching	Yes
Environmental Sensor Ready	Yes
Replaceable Controller	No
Compatible Sensors	Temperature, Humidity, Air Flow, Differential Pressure, Water Leak, and Contact Closure
Networking	(10/100 BaseT) Ethernet port. Optional WiFi (802.11a/b/g/n)
Remote Management	HTTP(s); SSH; Telnet; RS-232 (Serial); Power IQ; SNMP version v2/v3; SMTP; JSON-RPC
Cascading	No

Technical Specifications / Engineering Submittals

Raritan Model Number: PXO-2401CR

rev20181019

INPUT

Input Plug	IEC60320 C20 (2P3W)
Cord Length	3 meters (9.84 feet) standard
Cord Entry	Rear feed
Cable Type	IP44("splashproof")
Number of Power Cords	1
Maximum Input Current	16A
Nominal Input Voltage	230V, Single phase
Rated Input Voltage	200-240V
Input Frequency	50/60Hz
Power Capacity	3.2kVA at 200V, 3.8kVA at 240V

OUTPUT

Nominal Output Voltage	230V
Rated Output Voltage	200-240V
Receptacles (Output Connections)	(4) C13, 10A
Securelock Support	Yes
Cord Retention	No
Surge Protection	Yes

PHYSICAL

Color	Black powder coat (custom colors available)
Unit Dimensions (WxDxH)	220mm x 133mm x 44mm; 8.7" x 5.2" x 1.7"
Mounting	Tool-less button mount

Technical Specifications / Engineering Submittals

Raritan Model Number: PXO-2401CR

rev20181019

ENVIRONMENTAL

Operating Temperature	60°C
Operating Relative Humidity	85%
Operating Elevation	0-10000ft

CONFORMANCE

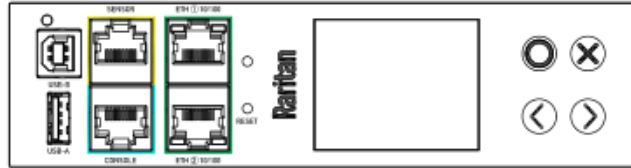
Regulatory Approvals	CE, Canada ICES-003, Part 15 Class A of the FCC rules, RoHS compliant
Warranty	Standard 2 years manufacturer warranty

Technical Specifications / Engineering Submittals

Raritan Model Number: PX0-2401CR

rev20181019

CONTROL PANEL

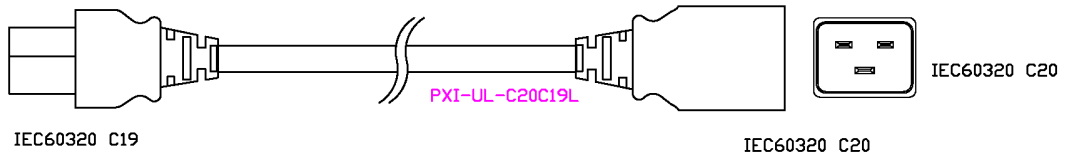
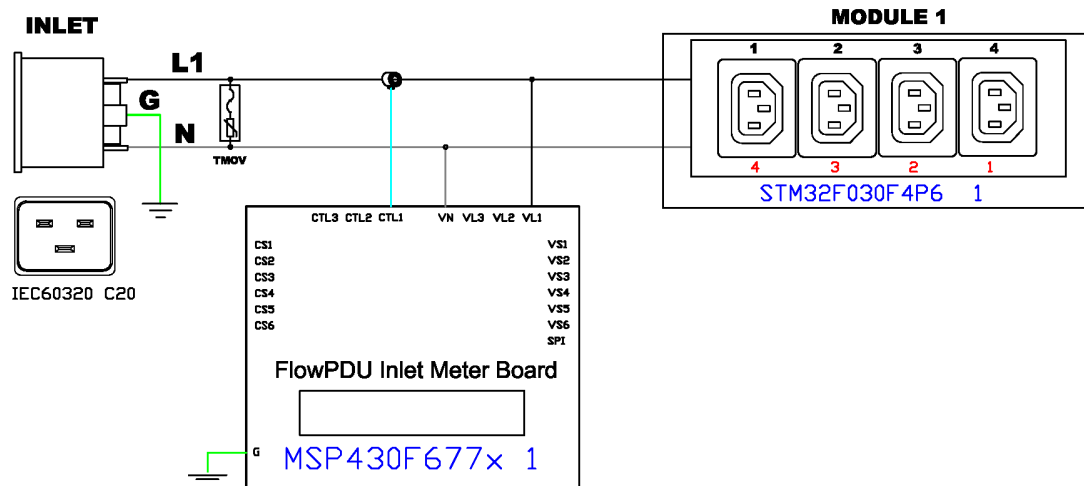


Technical Specifications / Engineering Submittals

Raritan Model Number: PX0-2401CR

rev20181019

ELECTRICAL (ONE LINE) DIAGRAM



Technical Specifications / Engineering Submittals

Raritan Model Number: PXO-2401CR

rev20181019

MECHANICAL DIAGRAM

