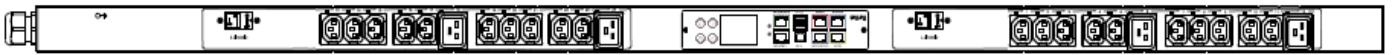


## Technical Specifications / Engineering Submittals

Raritan Model Number: PX3-1493V

rev20200701

### LINE DRAWING



### FEATURES

<b>Energy Metering</b>	Voltage (V), Current (A), Active Power (kW), Real Power (kVA), Energy (kWh), Power Factor
<b>Metering Accuracy</b>	ISO/IEC 62053-21 1%
<b>Metering per Input Line</b>	Yes
<b>Metering per Branch Circuit Breaker</b>	Yes
<b>Metering per Output Receptacle</b>	No
<b>Remote Outlet Switching</b>	No
<b>Environmental Sensor Ready</b>	Yes
<b>Replaceable Controller</b>	Yes
<b>Compatible Sensors</b>	Temperature, Humidity, Air Flow, Differential Pressure, Water Leak, and Contact Closure
<b>Networking</b>	Gigabit (10/100/1000 BaseT) Ethernet port; secondary, redundant (10/100/1000 BaseT) Ethernet port. Optional WiFi (802.11a/b/g/n)
<b>Remote Management</b>	HTTP(s); SSH; Telnet; RS-232 (Serial); Power IQ; SNMP version v2/v3; SMTP; JSON-RPC; Modbus over TCP
<b>Cascading</b>	Yes, Max 16 PDUs can be daisy chained using a single Ethernet or USB connection
<b>Onboard Display</b>	Color, matrix LCD display : Voltage, current, or active power (per line or per breaker); Alarms; Configuration information (name, ratings, IP / Networking information); Auto-flip orientation
<b>Embedded Processor</b>	ARM Cortex A5 500MHZ (Atmel A5D21C), 16MB SPI Flash, 128MB DDR2 RAM

## Technical Specifications / Engineering Submittals

Raritan Model Number: PX3-1493V

rev20200701

### INPUT

Input Plug	IEC 60309 2P+E 6h 32A (2P3W)
Cord Length	3 meters (9.84 feet) standard
Cord Entry	Bottom-bottom feed
Cable Type	IP44("splashproof")
Number of Power Cords	1
Maximum Input Current	32A
Nominal Input Voltage	230V
Rated Input Voltage	200 - 240V
Input Frequency	50/60Hz
Power Capacity	6.4kVA at 200V, 7.7kVA at 240V

### OUTPUT

Nominal Output Voltage	230V
Rated Output Voltage	200 - 240V
Receptacles (Output Connections)	(20) IEC320 C13, 10A (4) IEC320 C19, 16A
Securelock Support	Yes
Cord Retention	Yes
Overload Protection	(2) LEGBXA6-16

### PHYSICAL

Color	Black powder coat (custom colors available)
Unit Dimensions (WxDxH)	2.1" x 2.2" x 60.6" ; 52mm x 55mm x 1539mm
Unit Weight	5.5 kg
Shipping Weight	8 kg
Shipping Dimensions (WxDxH)	11.02" x 4.53" x 71.46" ; 280mm x 115mm x 1815mm
Mounting	Tool-less button mount

## Technical Specifications / Engineering Submittals

Raritan Model Number: PX3-1493V

rev20200701

### ENVIRONMENTAL

---

Operating Temperature	60°C
Operating Relative Humidity	85%
Operating Elevation	0-10000ft
Storage Temperature	-25 to 65°C
Storage Humidity	0-100%
Storage Elevation	0-10000ft

---

### CONFORMANCE

---

Regulatory Approvals	CE, Canada ICES-003, Part 15 Class A of the FCC rules, RoHS compliant
Warranty	Standard 2 years manufacturer warranty (Extended warranty available for purchase)

---

## Technical Specifications / Engineering Submittals

Raritan Model Number: PX3-1493V

rev20200701

### CONTROL PANEL

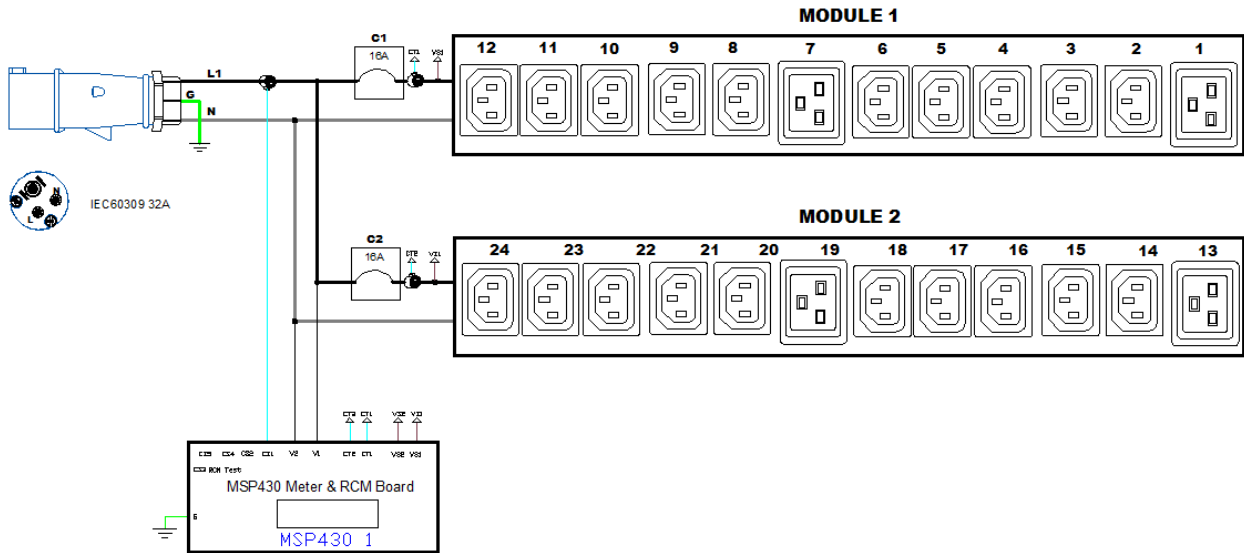


# Technical Specifications / Engineering Submittals

Raritan Model Number: PX3-1493V

rev20200701

## ELECTRICAL (ONE LINE) DIAGRAM



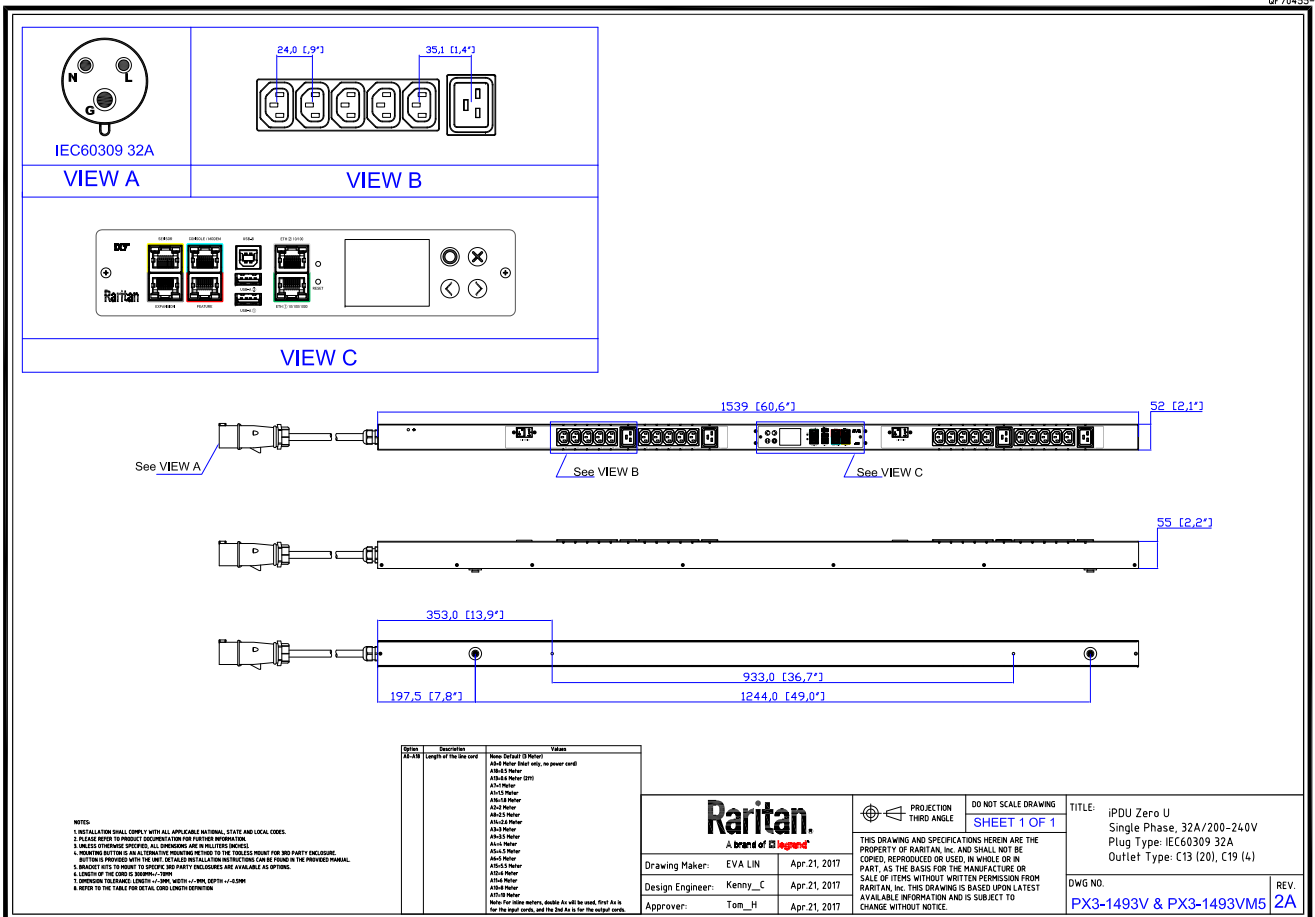
## Technical Specifications / Engineering Submittals

Raritan Model Number: PX3-1493V

rev20200701

### MECHANICAL DIAGRAM

0F70455-1

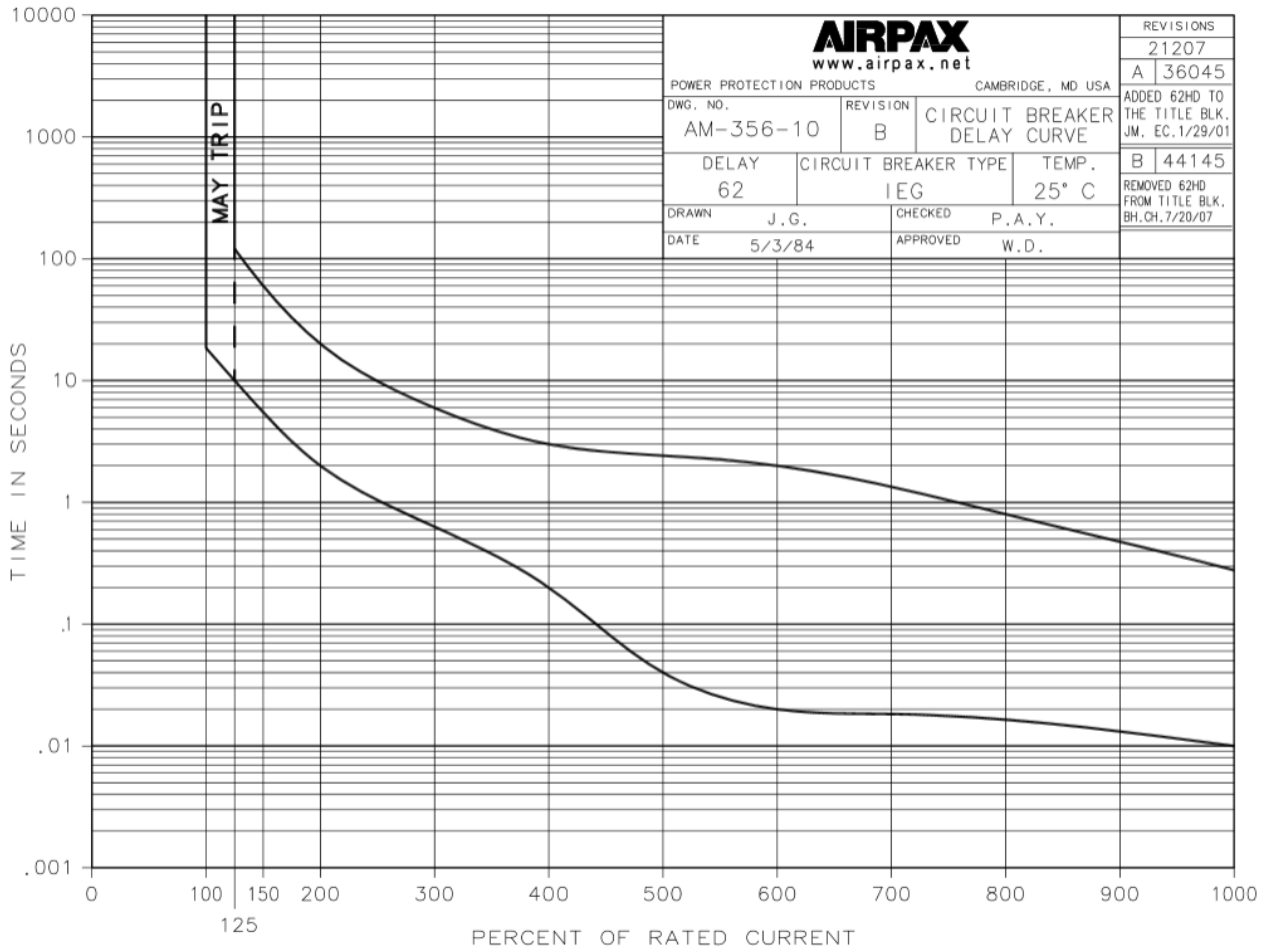


## Technical Specifications / Engineering Submittals

Raritan Model Number: PX3-1493V

rev20200701

### TRIP CURVE



This file generated on: Wed, July 01, 2020 - 05:24:53